

# CP-UNC-TA21L3C-Q

2MP Network IR Bullet Camera - 30Mtr.

- 1/2.8" 2MP PS CMOS Image Sensor (0.9071 centimeters)
- Max. 2MP (1920 × 1080)@1-25/30fps
- Instastream, H.265, H.264, H.264H, H.264B, MJPEG
- Support Triple stream
- Support Built-in Mic
- 3.6mm fixed Lens
- DWDR, Day/Night (ICR), 3D NR, ROI, AWB, AGC, BLC, HLC, Digital watermarking
- IR Range of 30 Mtr., PoE, IP67



## System Overview

With features of simple installation, easy operation, and high performance-cost ratio, This Series camera is applicable to small and medium-sized scenes, such as homes/residences, small-sized retail stores, and other small and medium-sized enterprises.

## CTC Technology:

CP PLUS Trusted Core Technology is a multi-layered security architecture that brings together the best of cyber security practices and technological intelligence. It is not just an enhancement; it is a complete redefinition of how surveillance should function in today's digital landscape - more intelligent, more secure, and more reliable than ever before.



## CP-UNC-TA21L3C-Q

### 2MP Network IR Bullet Camera - 30Mtr.

#### Functions

##### True Day/Night (ICR)

When the scene is too dark, the image is captured by illuminating an infrared light through the camera onto the scene that greatly helps with making the scene visible for the lens. It delivers color images during the day and automatically switches to the monochrome feature as the scene darkens.

##### Regions of Interest

Regions of Interest (ROI) is a user defined feature that allows the operator to monitor specific areas of a scene while still maintaining overall situational awareness of less important areas.

##### Smart IR

Smart IR technology can display image in the environment of low illuminance or completely dark environment. According to the distance of the targets, the camera adjusts IR LEDs intensity automatically to display the details of the moving target.

##### Power over Ethernet (PoE)

CP PLUS cameras with Power over Ethernet (PoE) technology offer a simple and efficient installation by using a single Ethernet cable to deliver both power and data. This eliminates the need for separate power adapters, reduces cable clutter, and ensures a cleaner setup.

#### About CP PLUS

The brand that is on its way to lead the world when it comes to the security and surveillance industry, CP PLUS, keeps bombarding the market with the most reliable range of products that have been designed carefully and methodically to automate the whole surveillance and security process, no matter how big your premises are.

It was the initiative to help the public in the area where they are the most vulnerable and to empower the sense of safety in our hearts that had conceptualized CP PLUS. And embarking on its mission to make the world a safer and more secure place has taken the brand's journey to unprecedented levels even when compared to international competitors.



## CP-UNC-TA21L3C-Q

### 2MP Network IR Bullet Camera - 30Mtr.

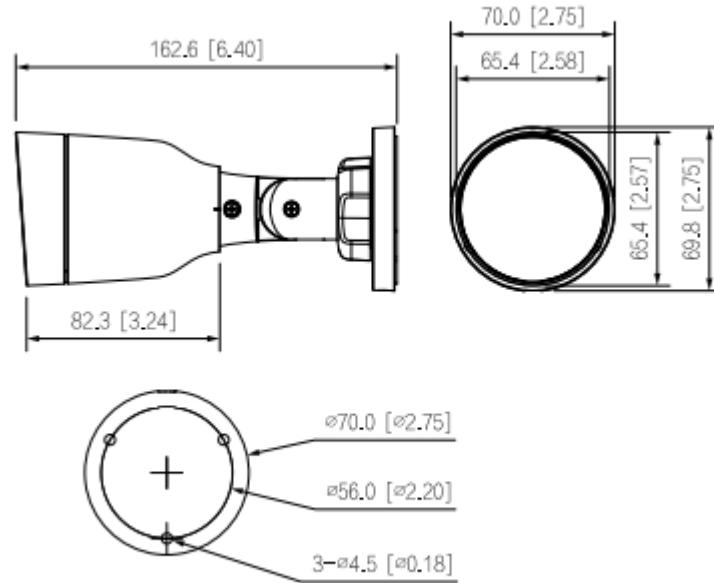
Feature	Specification
Image Sensor	1/2.8" 2MP PS CMOS Image Sensor (0.9071 centimeters)
Effective Pixels	1920 (H) × 1080 (V)
Minimum Illumination	0.01 lux@F2.0 (Color, 30 IRE), 0.001 lux@F2.0 (B/W, 30 IRE), 0 lux (IR on)
Angle Adjustment	Pan: 0°–360°, Tilt: 0°–90°, Rotation: 0°–360°
Shutter Speed	Auto/Manual 1/3 s–1/100,000 s
White Balance	Auto, Natural, Street lamp, Outdoor, Manual, Regional custom
RAM	128 MB
ROM	128 MB
DORI Distance	52.4 m (Detect), 21.0 m (Observe), 10.5 m (Recognize), 5.2 m (Identify)
Gain Control(AGC)	Auto/Manual
Lens Type	Fixed-focal
Max. Aperture	F2.0
Lens Mount	M12
Close Focus Distance	0.9 m
Lens	3.6mm fixed Lens
Video Compression	Instastream, H.265, H.264, H.264H, H.264B, MJPEG (Only supported by the sub stream)
S/N Ratio	>56dB
IR Number	1 IR LED
IR	IR Range of 30 Mtr.
IR Control	Auto, Manual
Smart IR	Support
Angle of View	H: 86°, V: 47°, D: 103°
Back Light Compensation	BLC/ HLC/ DWDR
Day/Night	Auto(ICR)/Color/B/W
Iris Control	Fixed

Feature	Specification
Resolution	2MP (1920 × 1080), 1.3MP (1280 × 960), 720p (1280 × 720), D1 (704 × 576/704 × 480), VGA (640 × 480), CIF (352 × 288/352 × 240)
Noise Reduction	3D NR
Motion detection	OFF/ON (4 areas, rectangular)
Stream Capability	Triple stream
Frame Rate	Main stream: 2MP (1920 × 1080)@1-25/30fps, 1.3MP, 720P@1-25/30fps Sub stream 1: 720p( 1280 × 720), D1 (704 × 576)@1-25fps/ (704 × 480)@1-30fps, VGA(640 × 480)@1-30fps, CIF (352 × 240)@1-30fps, (352 × 288) @1-25fps Sub stream 2: D1 (704 × 576)@1-25fps/ (704 × 480)@1-30fps, VGA(640 × 480)@1-30fps, CIF (352 × 240)@1-30fps/ (352 × 288) @1-25fps
Smart search	Work together with Smart NVR to perform refine intelligent search, event extraction and merging to event videos
Video format	PAL/NTSC
Privacy Mask	4 areas
ROI	Support (4 areas)
OSD	Camera title, Date & Time
Audio	Built-in Mic
Audio Compression	G.711a, G.711Mu, PCM, G.726, AAC
Bit Rate	H.265: 3 kbps-6144 kbps, H.264: 8 kbps-6144 kbps
Bit Rate Control	CBR/VBR
Human Body Detection	Support the classification and accurate detection of human
Protocol	SFTP, IPv6, IPv4, DNS,RTCP, NTP, RTP, HTTP, HTTPS, SNMP V3, TLS Version 1.2, TCP/IP, PPPoE, NFS, UDP, ICMP, IGMP, SSL, DHCP, SMTP, RTSPS, ONVIF (Profile S, Profile G, Profile T), unicast, multicast
SDK and API	Support
Ethernet	RJ-45 (10/100 Base-T)
Alarm Event	Network disconnection, IP conflict, illegal access, Motion detection, Video tampering, Audio detection, IMD (Intelligent motion detection), Security exception
Cyber Security	AES 256-bit Encryption, Configuration encryption, trusted execution, Digest, security logs, WSSE, account lockout, syslog, video encryption, IP/MAC filtering, HTTPS, trusted upgrade, trusted boot
Mirror Function	Support

Feature	Specification
User/Host	6 (Total bandwidth: 36 M)
Image Rotation	0°/90°/180°/270° (Support 90°/270° with 2M resolution and lower)
Browser	IE, Chrome, Firefox
Weatherproof Standard	IP67
Certificates	ISO 9001: 2015, ISO 20000-1 : 2018, CE, FCC and RoHS, BIS, STQC approved compliance report
Power Source	12 VDC/PoE (802.3af)
Power Consumption	Basic: 1.3 W (12 VDC), 1.6 W (PoE); Max. (H.265 + intelligence on + WDR+ IR intensity): 3.3 W (12 VDC), 4.2 W (PoE)
Operating Temperature	-40 °C to +60 °C (-40 °F to +140 °F)
Operating Humidity	≤95% (RH), non-condensing
Storage Temperature	-40 °C to +60 °C (-40 °F to +140 °F)
Storage Humidity	≤95%(RH), non-condensing
Dimension	162.6 mm × 70 mm × 70 mm
Casing	Metal + Plastic
Weight	220g

**Published Date –19-08-2025**

Dimensions (mm/inch)



**Company Name:**

CP PLUS (Aditya Infotech Ltd.)

F-28 Okhla Industrial Area, Phase 1,

New Delhi 110020, INDIA

**Contact Mail ID :-** [customercare@cpplusworld.com](mailto:customercare@cpplusworld.com)