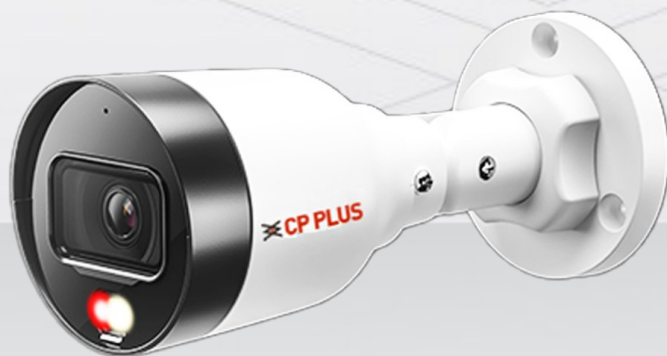


CP-UNC-TA21L3C-LQ

2MP Dual Light Bullet Camera - 30Mtr.

- 1/2.8" 2MP PS CMOS Image Sensor (0.9071 Centimeters)
- Max. 2MP (1920 ×1080)@25/30 fps
- Instastream, H.265, H.264, H.264H, H.264B, MJPEG
- Support Triple stream
- Support Built-in Mic
- 3.6mm fixed Lens
- DWDR, Day/Night (ICR), 3D NR, ROI, AWB, AGC, BLC, HLC, Digital watermarking
- IR Range of 30 Mtr., Warm Light Range of 30 Mtr., PoE, IP67



System Overview

The CP PLUS Advanced Dual Light Cameras provide the perfect solution for elevating your security system. Designed for superior adaptability, these cameras support multiple illumination modes and advanced monitoring features, ensuring unmatched performance in various environments.

CTC Technology:

CP PLUS Trusted Core Technology is a multi-layered security architecture that brings together the best of cyber security practices and technological intelligence. It is not just an enhancement; it is a complete redefinition of how surveillance should function in today's digital landscape - more intelligent, more secure, and more reliable than ever before.



CP-UNC-TA21L3C-LQ

2MP Dual Light Bullet Camera - 30Mtr.

Functions

Instastream

This camera has been designed with the latest and most efficient innovation among the standard video compression designs. Smart encoding algorithms developed by CP PLUS help in saving up to 70% more bandwidth than H.265 along with making it more beneficial for minimizing bandwidth and storage costs. It enhances video coding efficiency while providing high resolution and the rate of frame in the video using Intelligent Region Perception to detect motion in each frame.

Smart IR

Smart IR technology can display image in the environment of low illuminance or completely dark environment. According to the distance of the targets, the camera adjusts IR LEDs intensity automatically to display the details of the moving target.

True Day/Night

When the scene is too dark, the image is captured by illuminating an infrared light through the camera onto the scene that greatly helps with making the scene visible for the lens. It delivers color images during the day and automatically switches to the monochrome feature as the scene darkens.

Regions of interest

Regions of Interest (ROI) is a user defined feature that allows the operator to monitor specific areas of a scene while still maintaining overall situational awareness of less important areas.

About CP PLUS

The brand that is on its way to lead the world when it comes to the security and surveillance industry, CP PLUS, keeps bombarding the market with the most reliable range of products that have been designed carefully and methodically to automate the whole surveillance and security process, no matter how big your premises are.

It was the initiative to help the public in the area where they are the most vulnerable and to empower the sense of safety in our hearts that had conceptualized CP PLUS. And embarking on its mission to make the world a safer and more secure place has taken the brand's journey to unprecedented levels even when compared to international competitors.



CP-UNC-TA21L3C-LQ

2MP Dual Light Bullet Camera - 30Mtr.

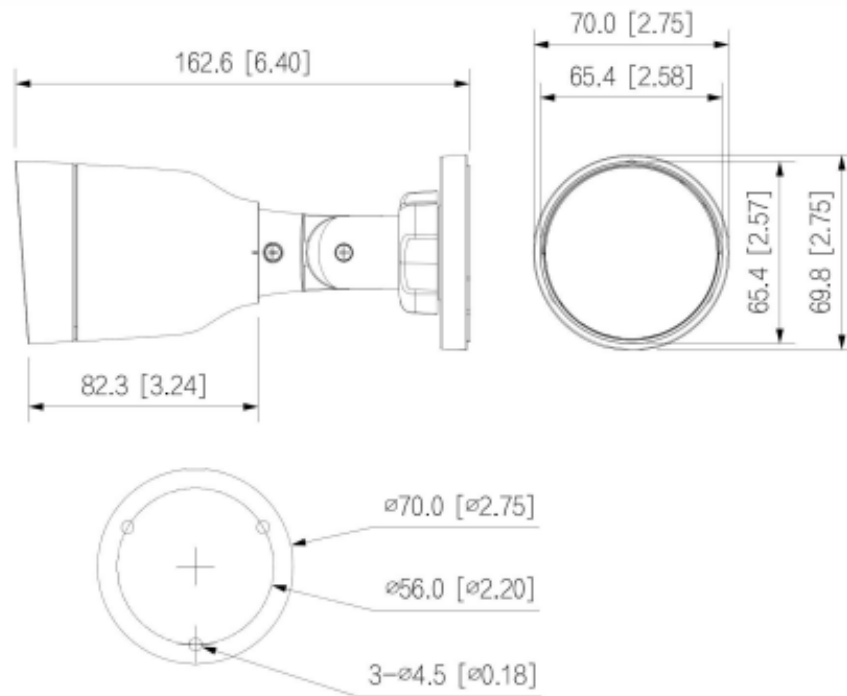
Feature	Specification
Image Sensor	1/2.8" 2MP PS CMOS Image Sensor (0.9071 Centimeters)
Effective Pixels	1920 (H) × 1080 (V)
Minimum Illumination	0.005 lux@F1.6 (Color, 30 IRE), 0.0005 lux@F1.6 (B/W, 30 IRE), 0 lux (IR on)
Angle Adjustment	Pan: 0°–360°, Tilt: 0°–90°, Rotation: 0°–360°
Shutter Speed	Auto/Manual 1/3 s–1/100,000 s
White Balance	Auto, Natural, Street lamp, Outdoor, Manual, Regional custom
RAM	128 MB
ROM	128 MB
DORI Distance	58.9 m (Detect), 23.6 m (Observe), 11.8 m (Recognize), 5.9 m (Identify)
Gain Control(AGC)	Auto/Manual
Lens Type	Fixed-focal
Max. Aperture	F1.6
Lens Mount	M12
Close Focus Distance	1.3 m
Lens	3.6mm fixed Lens
S/N Ratio	>56dB
Back Light Compensation	BLC/ HLC/ DWDR
IR Number	1 (Multi-core (IR + warm) light)
IR	IR Range of 30 Mtr.
Warm Light	Warm Light Range of 30 Mtr.
Angle of View	H: 87°, V: 44°, D: 105°
Day/Night	Auto(ICR)/Color/B/W
IR Control	Auto, Manual

Feature	Specification
Video Compression	Instastream, H.265, H.264, H.264H, H.264B, MJPEG (Only supported by the sub stream)
Resolution	2MP (1920 × 1080), 1.3MP (1280 × 960), 720p (1280 × 720), D1 (704 × 576/704 × 480), VGA (640 × 480), CIF (352 × 288/352 × 240)
Stream Capability	Triple stream
Frame Rate	Main stream 2MP (1920 × 1080), 1.3MP (1280 × 960) ,720p (1280 × 720)@25/30fps Sub stream 1: 720p/D1/VAG/CIF@25/30Fps Sub stream 2: D1/VGA/CIF/@25/30fps
Smart search	Work together with Smart NVR to perform refine intelligent search, event extraction and merging to event videos
Audio	Built-in Mic
Noise Reduction	3D NR
Motion detection	OFF/ON (4 areas, rectangular)
Video format	PAL/NTSC
Privacy Mask	4 areas
Smart IR	Support
Smart Illumination	Support
ROI	Support (4 areas)
OSD	Camera title, Date & Time
Image Rotation	0°/90°/180°/270° (Support 90°/270° with 2MP resolution and lower)
Audio Compression	G.711a, G.711Mu, PCM, G.726, AAC
Bit Rate Control	CBR/VBR
Bit Rate	H.265: 3 kbps-6144 kbps, H.264: 8 kbps-6144 kbps
Protocol	SFTP, IPv6, IPv4, DNS,RTCP, NTP, RTP, HTTP, HTTPS, SNMP V3, TLS Version 1.2, TCP/IP, PPPoE, NFS, UDP, ICMP, IGMP, SSL, DHCP, SMTP, RTSPS, ONVIF (Profile S, Profile G, Profile T), unicast, multicast
SDK and API	Support
Iris Control	Fixed
Mirror Function	Support
User/Host	6 (Total bandwidth: 36 M)
Browser	IE, Chrome, Firefox
Ethernet	RJ-45 (10/100 Base-T)

Feature	Specification
Alarm Event	Network disconnection, IP conflict, illegal access, Motion detection, Video tampering, Audio detection, IMD (Intelligent motion detection), Security exception
Cyber Security	AES 256-bit Encryption, Configuration encryption, trusted execution, Digest, security logs, WSSE, account lockout, syslog, video encryption, IP/MAC filtering, HTTPS, trusted upgrade, trusted boot
Certificates	ISO 9001: 2015, ISO 20000-1 : 2018, CE, FCC and RoHS, BIS, STQC approved compliance report
Power Source	12 VDC/PoE (802.3af)
Power Consumption	Basic: 1.4 W (12 VDC), 2.2 W (PoE); Max.: 3.3 W (12 VDC), 4.4 W (PoE) (H.265 + intelligence on + warm light intensity)
Operating Temperature	-40 °C to +60 °C (-40 °F to +140 °F)
Operating Humidity	≤95% (RH), non-condensing
Storage Temperature	-40 °C to +60 °C (-40 °F to +140 °F)
Storage Humidity	≤95%(RH), non-condensing
Weatherproof Standard	IP67
Casing	Metal + Plastic
Dimension	162.6 mm × 70 mm× 70 mm
Weight	220g

Published Date -19-08-2025

Dimensions (mm/inch)



Company Name:

CP PLUS (Aditya Infotech Ltd.)

F-28 Okhla Industrial Area, Phase 1,

New Delhi 110020, INDIA

Contact Mail ID :- customercare@cpplusworld.com